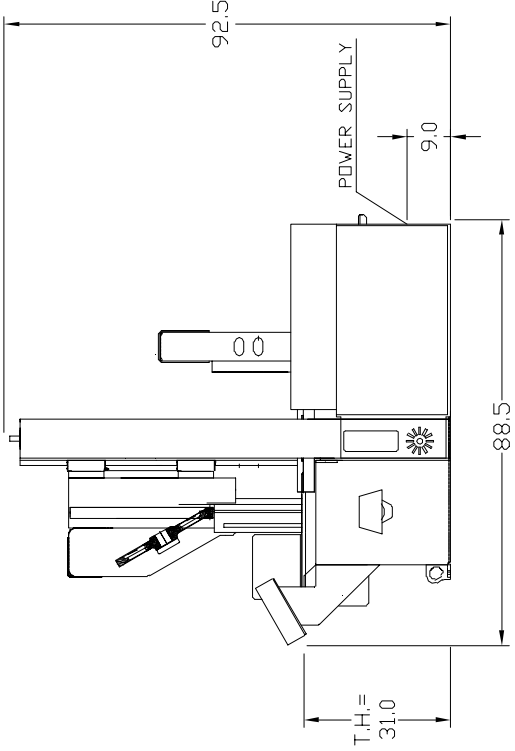
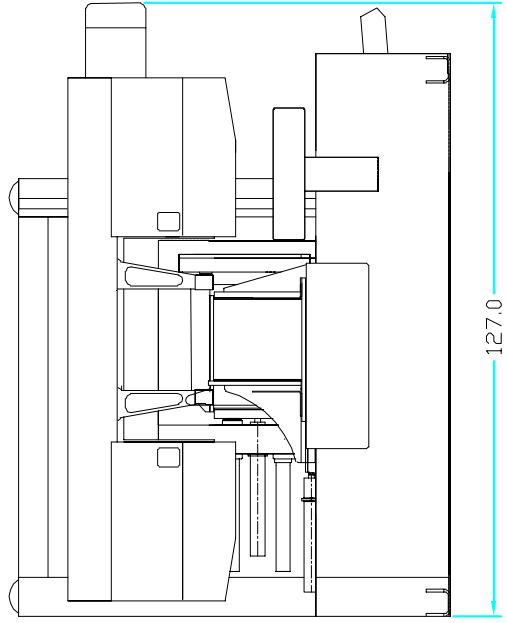
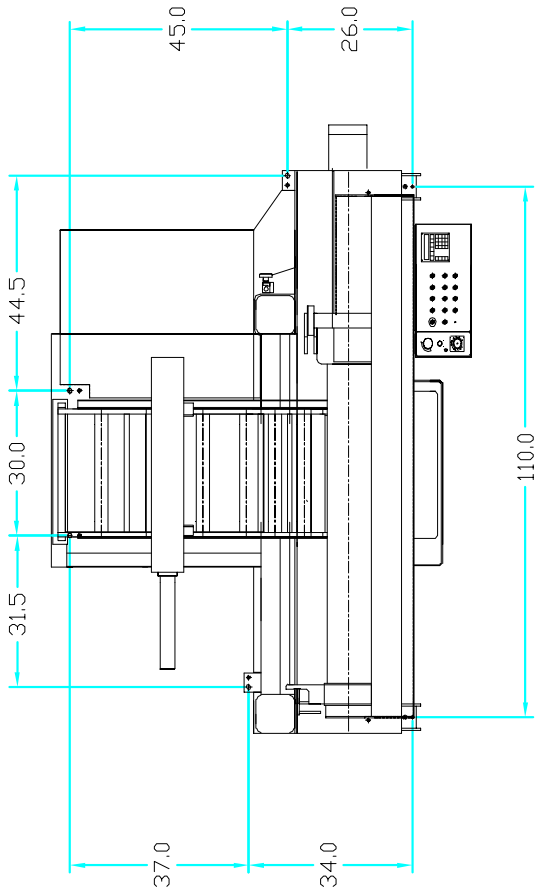



ITEM	STANDARD FEATURE	BASIC DATA
1	CAPACITY:	SQUARE: 18" X 18" ROUND: 18" DIAMETER
2	BLADE:	1.5' X 19' 2" X 0.050"
3	BLADE SPEED:	50-350 SFM (INFINITELY VARIABLE-VFD)
4	BLADE DRIVE:	10HPX1750RPM(215TC) ELMTR, PM50 G.BOX , I=45.6/1
5	HYDRAULIC SYSTEM:	HYDRAULIC DRIVE: 3 HP
6	SYSTEM PRESSURE:	1000 P.S.I.
7	TABLE HEIGHT:	31"
8	MAXIMUM WORK LOAD:	10,000 LBS
9	MACHINE WEIGHT:	8,500 LBS ( ESTIMATE)
10	OVERALL DIMS:	88.5"(L)X127"(W)X92.5"(H)
11	BLADE GUIDES:	CARBIDE
12	BLADE WHEEL DIA:	22.0 "
13	HYDR. TANK CAP:	9.5 U.S. GALLONS
14	COOLANT TANK CAP:	30 U.S. GALLONS
15	SHUTTLE STROKE:	0-34" SINGLE STROKE MULTI-INDEXING STANDARD
16	WISE CONTROL:	HYDRAULIC (FULL STROKE)
17	CHIP REMOVAL:	HYDRAULIC CHIP AUGER
18	OPTIONS:	FULL CAPACITY HYDRAULIC OVERHEAD BUNDLING VARIABLE VISE PRESSURE ROLLER OUTFEED CONVEYOR VERTICAL ROLLERS OUT-OF STOCK LIMIT SWITCH OUTBOARD VISE BUNDLING



REVISIONS		DATE		BY	
REV.	ECON NUMBER				

STANDARD TOLERANCES UNLESS OTHERWISE SPECIFIED		DIMENSIONS ARE IN INCHES	
LINEAR	ANGULAR		
.X +/- .015 IN	X.X +/- 0.5 DEG		
.XX +/- .010 IN			
.XXX +/- .005 IN			
MATERIAL: 			
✓ = 125 MICRONS			

DRAWN BY:	CHKD BY:	SCALE:	SHEET:	REV:
WR				
DATE: SEP 19 03	DATE:			

HYD-MECH GROUP LIMITED	
WAGSEBROOK, ONTARIO, CANADA, M4S 5A4	
TITLE: H18SV BAND SAW	
DRAWING NUMBER: H18SV-00-00	

THIS DRAWING IS THE PROPERTY OF HYD-MECH GROUP LIMITED. IT IS TO BE USED ONLY FOR THE PROJECT AND QUANTITY SPECIFIED HEREON. IT IS NOT TO BE REPRODUCED, COPIED, OR TRANSMITTED IN ANY FORM OR BY ANY MEANS, ELECTRONIC OR MECHANICAL, INCLUDING PHOTOCOPYING, RECORDING, OR BY ANY INFORMATION STORAGE AND RETRIEVAL SYSTEM, WITHOUT THE WRITTEN PERMISSION OF HYD-MECH GROUP LIMITED.