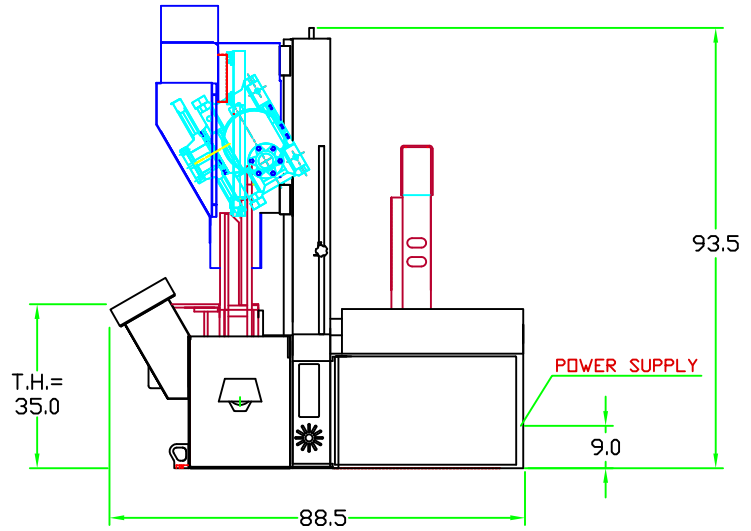
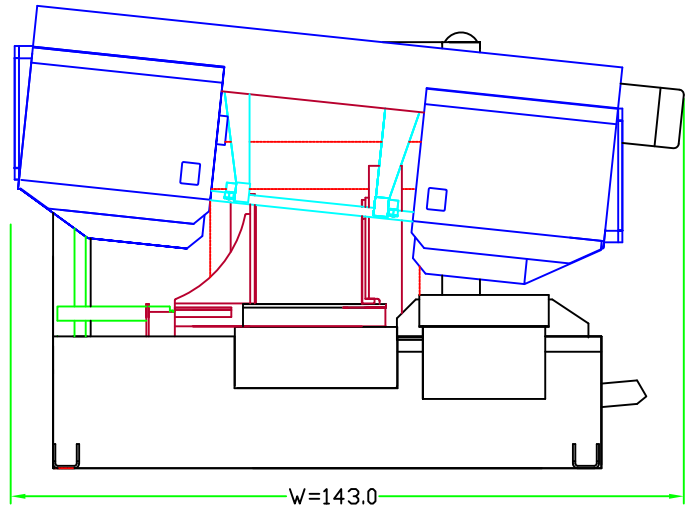


ITEM	STANDARD FEATURE	BASIC DATA
1	CAPACITY:	REC: 22" X 20" ROUND: 20" DIAMETER
2	BLADE:	2" X 22' 6" X 0.063"
3	BLADE SPEED:	40-300 SFM (INFINITELY VARIABLE-VFD)
4	BLADE DRIVE:	10HPX1150RPM(256TC) EL.MTR
5	HYDRAULIC SYSTEM:	HYDRAULIC DRIVE: 3 HP
6	SYSTEM PRESSURE:	1100 P.S.I.
7	TABLE HEIGHT:	35"
8	MAXIMUM WORK LOAD:	15,000 LBS
9	MACHINE WEIGHT:	12,500 LBS (ESTIMATE)
10	OVERALL DIMS:	88.5"(L)X143"(W)X93.5"(H)
11	BLADE GUIDES:	CARBIDE
12	BLADE WHEEL DIA.	27.0 "
13	HYDR. TANK CAP	9.5 U.S. GALLONS
14	COOLANT TANK CAP.	30 U.S. GALLONS
15	SHUTTLE STROKE:	0-34" SINGLE STROKE MULTI-INDEXING STANDARD
16	WISE CONTROL:	HYDRAULIC (FULL STROKE)
17	CHIP REMOVAL	HYDRAULIC CHIP AUGER
18	OPTIONS:	FULL CAPACITY HYDRAULIC OVERHEAD BUNDLING VARIABLE VISE PRESSURE VERTICAL ROLLERS OUT-OF STOCK LIMIT SWITCH OUTBOARD VISE BUNDLING



THE DATA/DESIGN CONTAINED HEREIN IS PROPRIETARY AND CONFIDENTIAL. REPRODUCTION, PUBLICATION OR DISTRIBUTION OF ANY PART THEREOF WITHOUT CONSENT OF HYD-MECH GROUP LTD IS THE PROPERTY OF HYD-MECH GROUP AND ITS POSSESSION CONFERS NO LICENSE TO USE OR RIGHT OR LICENSE TO INCLUDE IT IN OTHERS FOR ANY PURPOSE WHATSOEVER. ALL RIGHTS RESERVED.

REVISIONS				STANDARD TOLERANCES UNLESS OTHERWISE SPECIFIED		HYD-MECH GROUP LIMITED WOODSTOCK, ONTARIO, CANADA. N4S 8M4	
REV.	ECN NUMBER	DATE	BY	DIMENSIONS ARE IN INCHES		TITLE: H22SV BAND SAW -CANTED HEAD	
				LINEAR	ANGULAR	DRWN BY: WR	CHKD BY:
				.X +/- .015 IN	X.X +/- 0.5 DEG	DATE: JUNE 29, 04	SCALE:
				.XX +/- .010 IN			SHEET:
				.XXX +/- .005 IN	THIRD ANGLE PROJECTION		REV:
				✓ = 125 MICROMETERS		MATERIAL:	
						DRAWING NUMBER: H22SV-00-01	