

THE DATA/DESIGN CONTAINED HEREIN IS PROPRIETARY AND CONFIDENTIAL. REPRODUCTION, PUBLICATION OR DISTRIBUTION OF ANY PART REQUIRES WRITTEN CONSENT OF HYDMECH. THIS DATA IS THE PROPERTY OF HYDMECH AND ITS POSSESSION CONVEYS NO LICENSE TO USE OR RIGHT OR LICENSE TO DISCLOSE IT TO OTHERS FOR ANY PURPOSE WHATSOEVER. ALL RIGHTS RESERVED.

REVISIONS			
REV	ECN NUMBER	DATE	BY
-	-	-	-
-	-	-	-
-	-	-	-
-	-	-	-

STANDARD HYDMECH TOLERANCES UNLESS OTHERWISE SPECIFIED

DIMENSIONS ARE IN INCHES

THIRD ANGLE PROJECTION

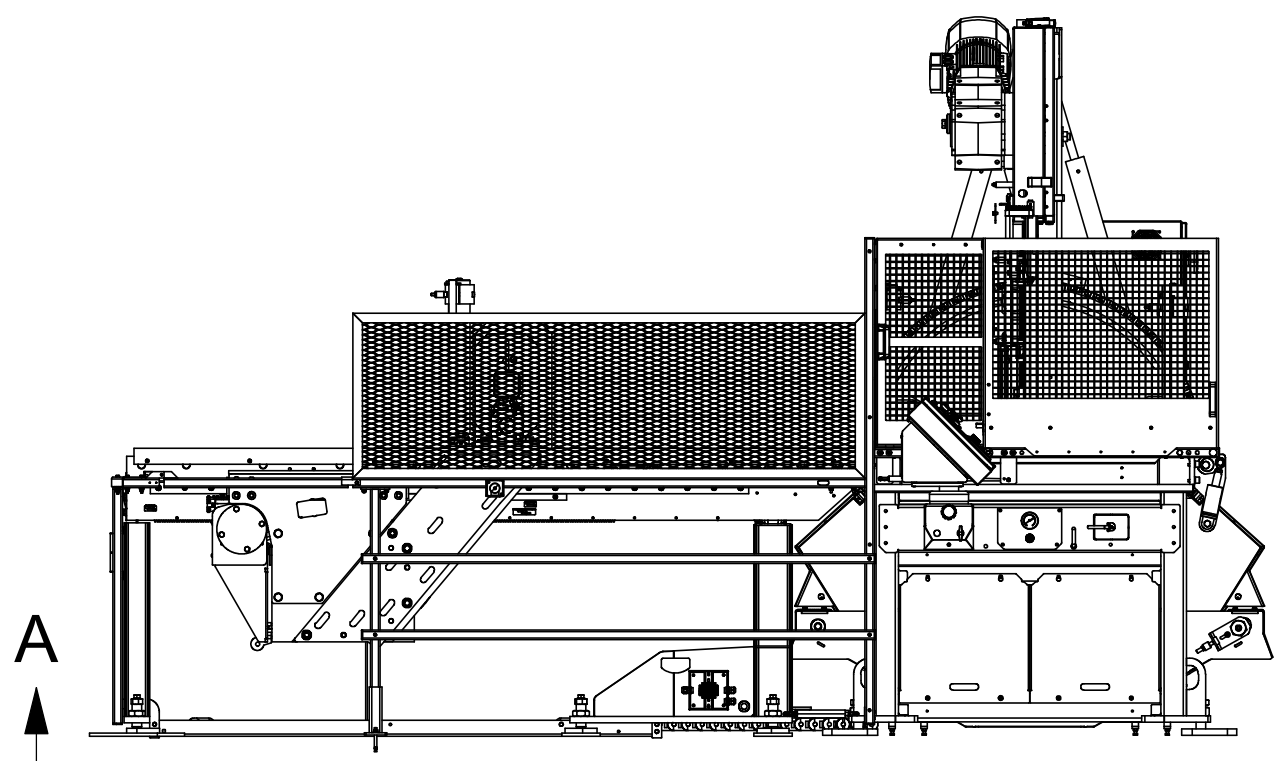
HYDMECH

TITLE: V21 APC 5' LH INFED

MATERIAL CODE:	MATL:	DRWN BY: RvS	CHKD BY:	SCALE: 1:40	SHEET: 1 OF 2
MODEL: V21	COMPONENT GROUP: 00 - Top Level	DATE:	DATE:	PART WEIGHT:	COATING:
DRAWING NUMBER: <b>60004072</b>			REV: -		

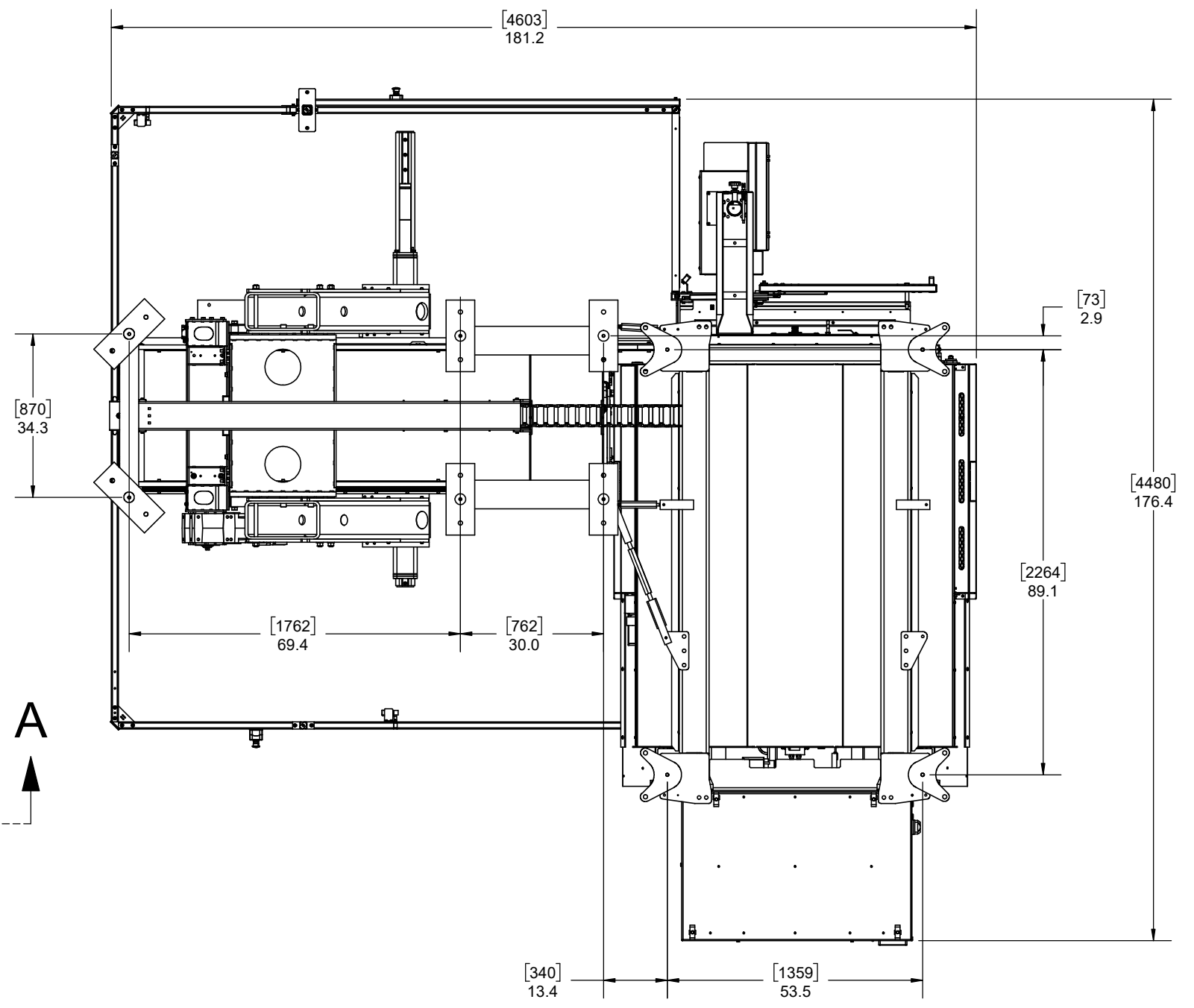
12 11 10 9 8 7 6 5 4 3 2 1

H G F E D C B A



A

A



SECTION A-A

THE DATA/DESIGN CONTAINED HEREIN IS PROPRIETARY AND CONFIDENTIAL. REPRODUCTION, PUBLICATION OR DISTRIBUTION OF ANY PART REQUIRES WRITTEN CONSENT OF HYDMECH. THE DATA IS THE PROPERTY OF HYDMECH AND ITS POSSESSION CONVEYS NO LICENSE TO USE OR RIGHT OR LICENSE TO DISCLOSE IT TO OTHERS FOR ANY PURPOSE WHATSOEVER. ALL RIGHTS RESERVED.



SCALE 1:30	SHEET 2 OF 2	DRAWING NUMBER <b>60004072</b>	REV -
---------------	-----------------	-----------------------------------	----------

12 11 10 9 8 7 6 5 4 3 2 1

A B C D E F G H