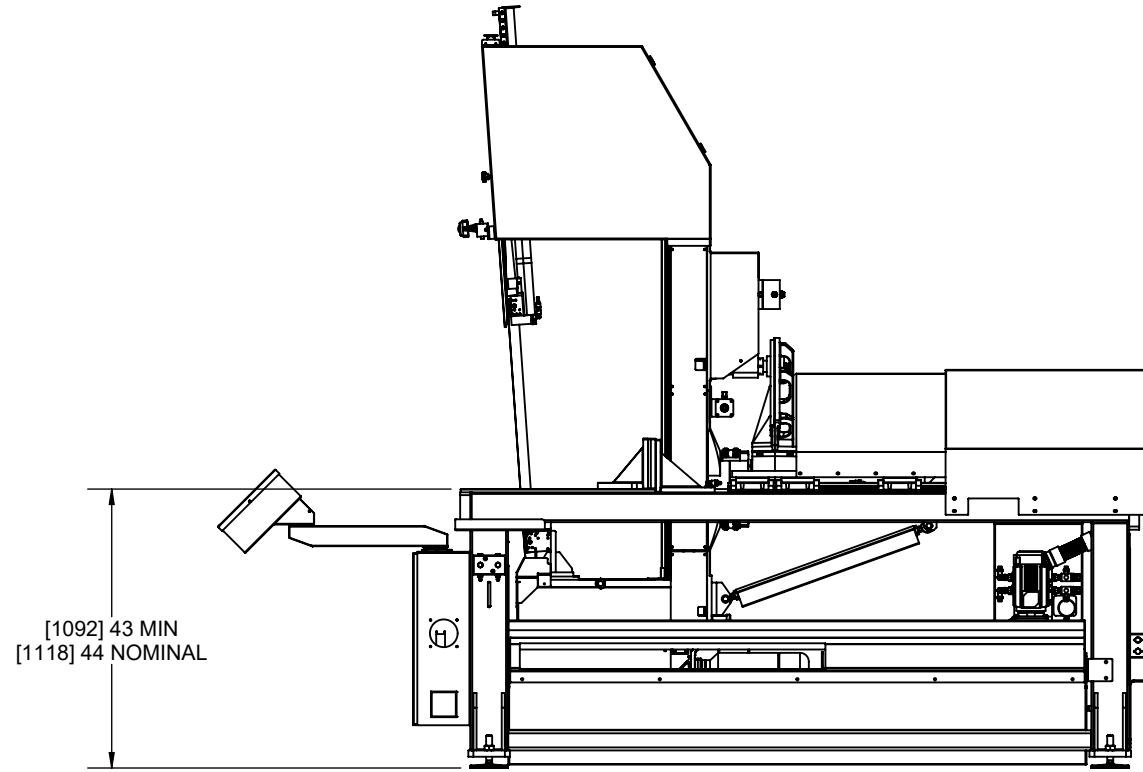
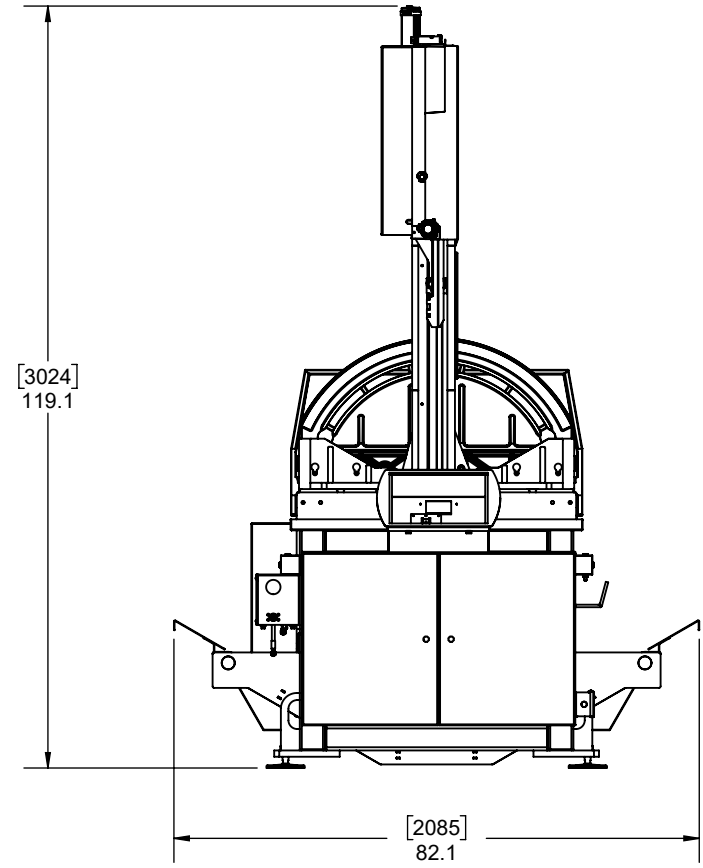
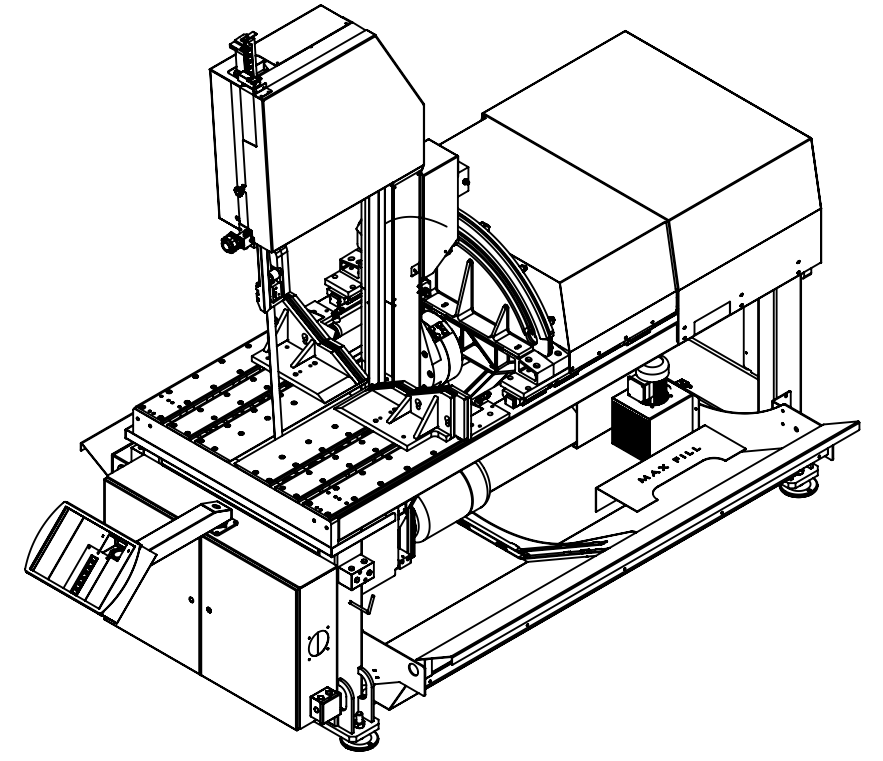
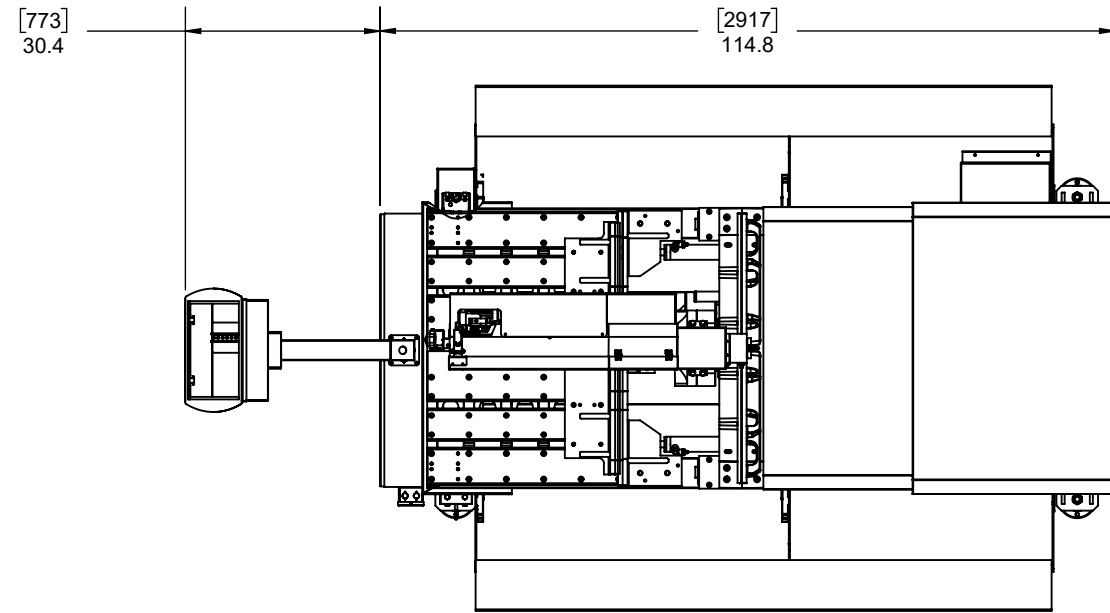


A B C D E F G H I J K L M

8 7 6 5 4 3 2 1 0



THE DATA/DESIGN CONTAINED HEREIN IS PROPRIETARY AND CONFIDENTIAL. REPRODUCTION, PUBLICATION OR DISTRIBUTION OF ANY PART REQUIRES WRITTEN CONSENT OF HYDMECH GROUP. THIS DATA IS THE PROPERTY OF HYDMECH GROUP AND ITS POSSESSION CONFERS NO LICENSE TO USE OR RIGHT OR LICENSE TO DISCLOSE IT TO OTHERS FOR ANY PURPOSE WHATSOEVER. ALL RIGHTS RESERVED.

REVISIONS			
REV	ECN NUMBER	DATE	BY
-	-	-	-
-	-	-	-
-	-	-	-
-	-	-	-

STANDARD HYDMECH TOLERANCES UNLESS OTHERWISE SPECIFIED

DIMENSIONS ARE IN INCHES

THIRD ANGLE PROJECTION

<b>HYDMECH GROUP LIMITED</b> WOODSTOCK, ONTARIO, CANADA N4S 0A9					
TITLE: V20PT LAYOUT					
MODEL: V20	COMPONENT GROUP: 00 - Top Level	DRWN BY: RVS DATE: Aug 31, 2016	CHKD BY: DATE:	SCALE: 1:30	SHEET: 1 OF 1
MATERIAL CODE:	MATL:	PART WEIGHT:	DRAWING NUMBER:	COATING: No Coating	REV: -

A B C D E F G H I J K L M