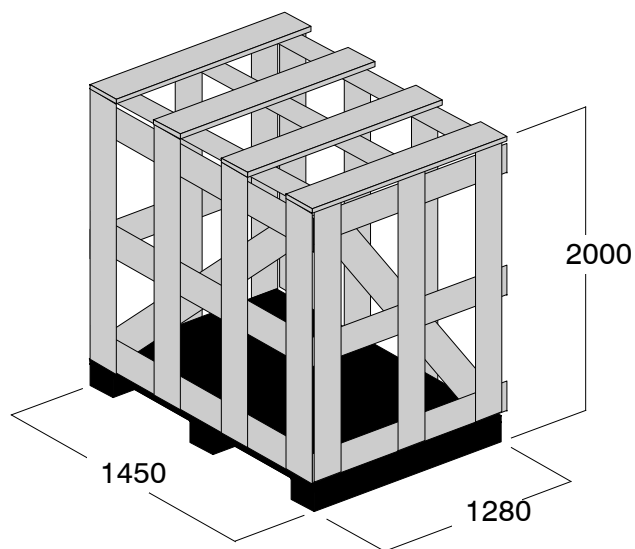


| PACKED WEIGHT | | |
|------------------------|----|----|
| Wooden cage and pallet | Kg | 70 |
| Wooden pallet | Kg | 20 |



Dimensions

| MACHINE INSTALLED | | |
|--------------------------|----|-----|
| Work table height | mm | 950 |
| Weight | Kg | 640 |

