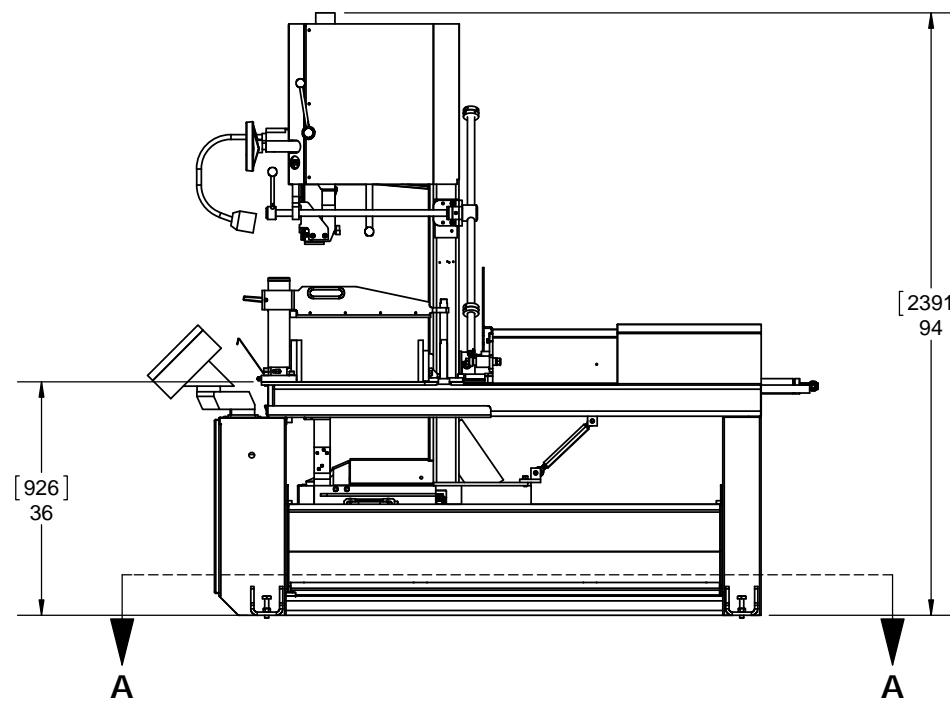
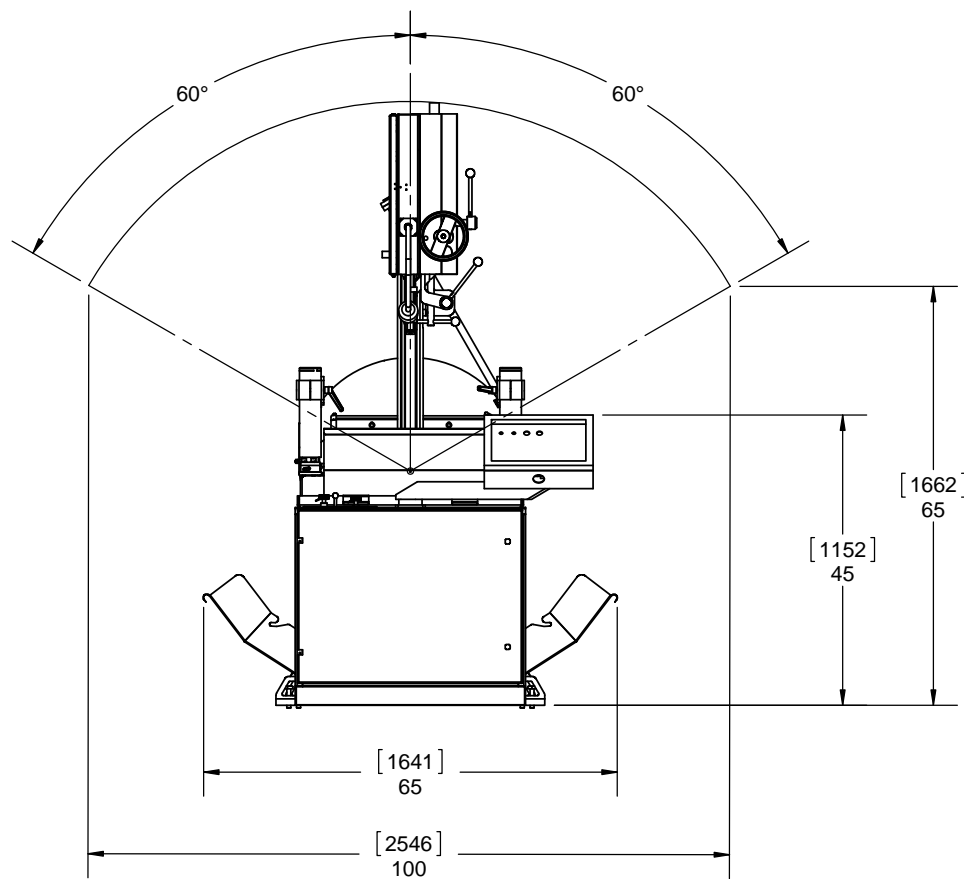


SECTION A-A



THE DATA/DESIGN CONTAINED HEREIN IS PROPRIETARY AND CONFIDENTIAL. REPRODUCTION, PUBLICATION OR DISTRIBUTION OF ANY PART REQUIRES WRITTEN CONSENT OF HYDMECH GROUP. THIS DATA IS THE PROPERTY OF HYDMECH GROUP AND ITS POSSESSION CONFERS NO LICENSE TO USE OR RIGHT OR LICENSE TO DISCLOSE IT TO OTHERS FOR ANY PURPOSE WHATSOEVER. ALL RIGHTS RESERVED.

REVISIONS			
REV	ECN NUMBER	DATE	BY
-	-	-	-
-	-	-	-
-	-	-	-
-	-	-	-

STANDARD HYDMECH TOLERANCES UNLESS OTHERWISE SPECIFIED
DIMENSIONS ARE IN INCHES
THIRD ANGLE PROJECTION

HYDMECH GROUP LIMITED <small>WOODSTOCK, ONTARIO, CANADA N4S 0A9</small>					
TITLE: VW18 MACHINE ASSEMBLY, LH					
MODEL: VW18II	COMPONENT GROUP: 00 - Top Level	DRWN BY: EngCoop	CHKD BY:	SCALE: 1:30	SHEET: 1 OF 1
DATE: Jan 11, 2016		DATE:		PART WEIGHT:	
MATERIAL CODE: ASSEMBLY		MATERIAL:		COATING: No Coating	
DRAWING NUMBER: 50000985				REV: -	